

## Mixer Tap S1000 - Z65

Mixer Taps

Code: 8449 500



### DETAILS

Mixer type Single lever mixer tap with rotating barrel and extractable shower head.

---

Material Brass

---

Texture Chromed

---

Rotating angle 180°

---

Strengthening plate ø55mm

---

Cartridge With ceramic discs

---

Mixer hole ø35 mm

---

Max worktop thickness 40 mm

---

### FEATURES

Double jet (flow and rain)

Several models are equipped with a switch to easily change the flow from continuous to shower.

---

Extractable head

The head of the tap is extractable, in order to easily reach any area of the sink.

---

Rotating angle

All the taps have a wide angle of rotation. Some models even permit a full 360° rotation.

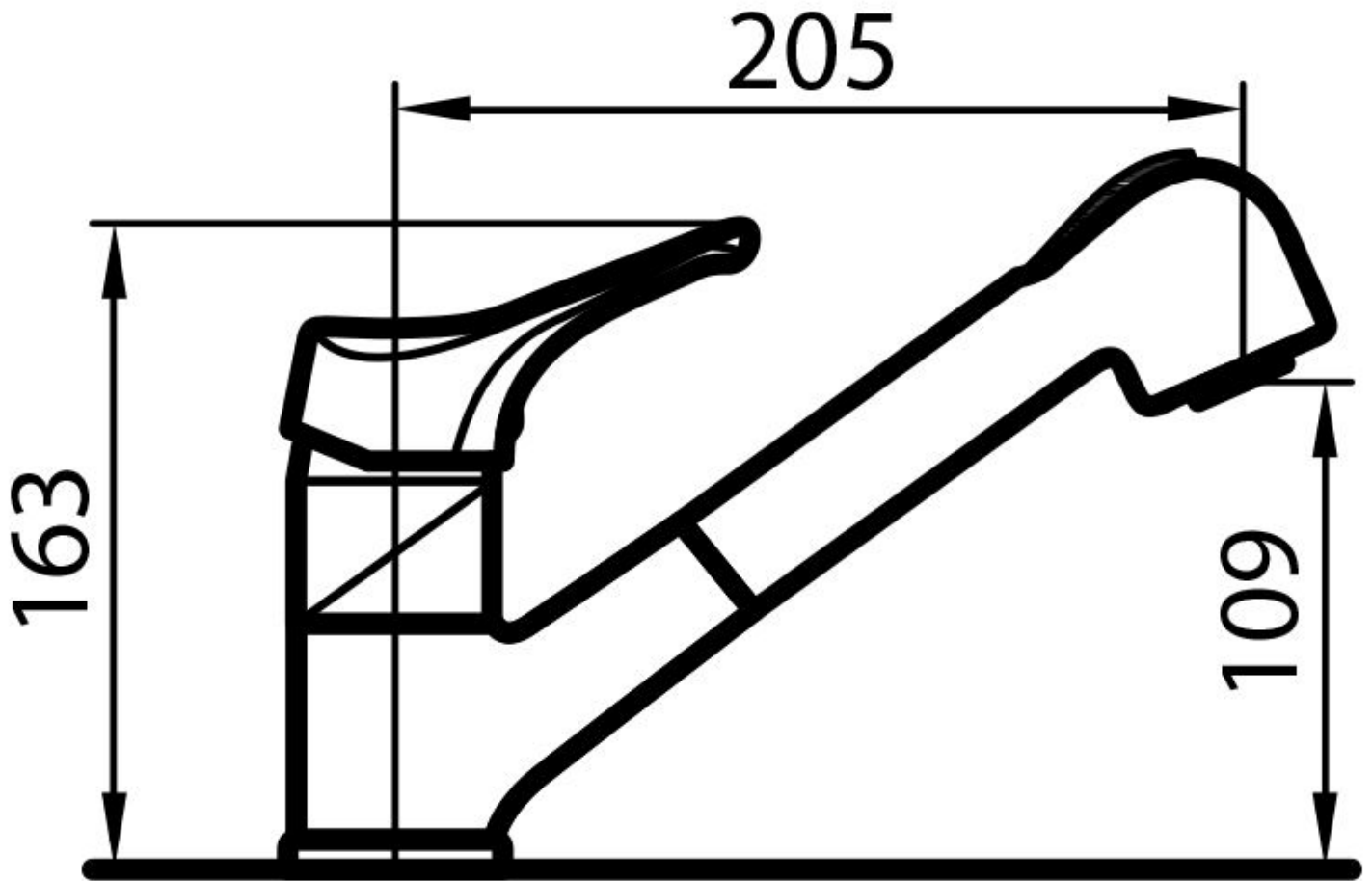
---

Strengthening plate

Foster's mixer taps are equipped with the strengthening plate that offers perfect stability on any sink.

---

## TECHNICAL DATA



## GALLERY

